

4. Recommended installation height and distance between the lamps.

power	Height of pole	Distance between pole
12w	3-5m	10-12m
15w	5-6m	10-13m
20w	5-6m	13-16m
30w	6-8m	16-19m
40w	6-8m	19-23m
50w	8-9m	23-27m
60w	8-9m	27-31m
80w	8-9m	31-35m
100w	9-10m	35-40m
120w	9-10m	35-40m

How is it charged by sunshine?

The light will be switched off during battery is charged in daytime, normally the battery has 30%-50% power left out of factory, and it needs 7-8 hours sunshine to fully charge the battery.

Notice:

The charging condition is under ideal bright sunshine charging condition at 100w/m² illumination intensity, temperature >25°C, so the real charging time should follow the local sunshine condition.

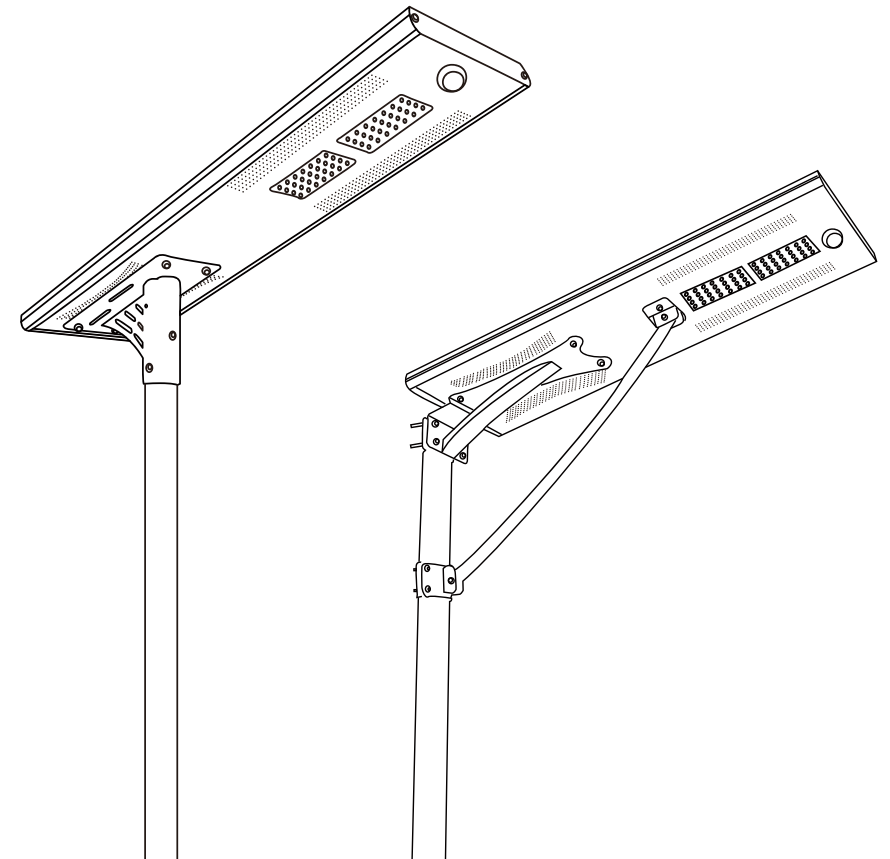
The wrong working situations as below:

1. Light flickers un-regularly.
2. The lamp is too sensitive, so it is always at 100% light, then battery can't last long.
3. Sensor does not work, not light when people come close.

How does the light save energy?

- 1) It can only be turned on at night controlled by night sensor.
- 2) It has dim mode and bright mode so that they can be switched to save power.
- 3) It automatically turns on bright mode.
- 4) The battery capacity is big enough and can save energy for about 3-5 nights if meeting cloudy days without sunshine charging.

FLAT SERIES



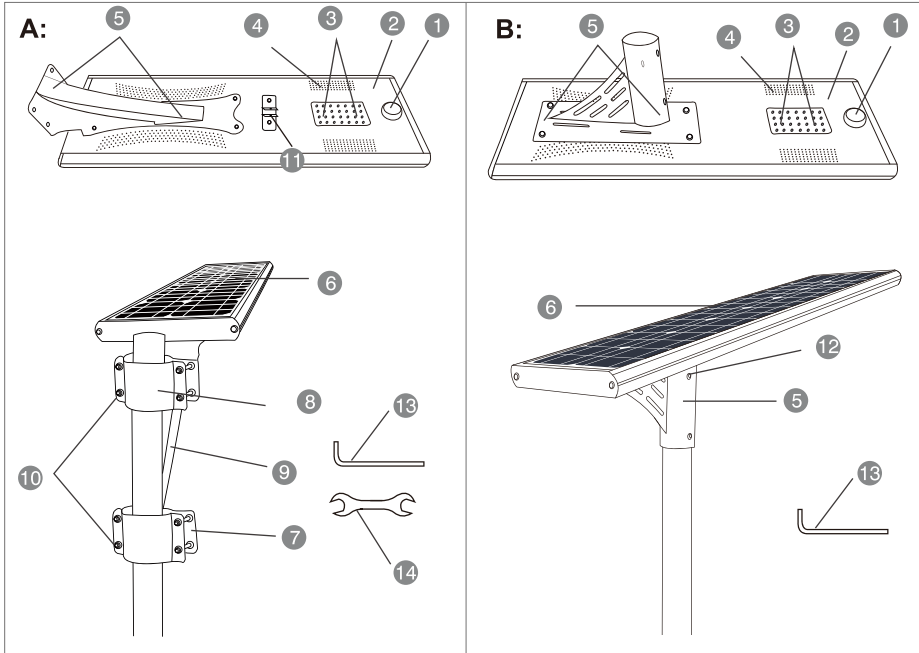
Integrated/All In One Solar LED Street Light User Manual

Thank you for choosing the FLAT Series Solar Street Light. For any questions, please email us.

Please refer to the actual products if the provided diagrams show slight differences.

Product Manual

Parts & Functions:



No.	Parts	Functions
1	Microwave sensor	Motion detection
2	MPPT controller	Charge and discharge
3	Light source	Illumination
4	Heat-sink hole	Heat dissipation
5	Base	Fix main body
6	Solar panel	Charge battery
7	Anchor ear A	Fix the pole and bent pipe
8	Anchor ear B	Fix the base to hole
9	Bent pipe	Support lamp with pole
10	M8x100 screw 8sets	Fasten the anchor ear to pole
11	M8x50 screw 2sets	Fasten the bent pipe to unit main body
12	M8x30screw 6pcs	Fix the base
13	Φ6mm Allen key 1pc	Fasten the 10pcs screws
14	Open spanner 1pc	Fix the nuts

Package Include

A:

Components	12W-20W	30W-120W	images
Unit main body	1pc	1pc	
Bent pipe	/	1pc	
Anchor ear A	/	1pc	
Anchor ear B	1pc	2pcs	
M8x100 screw	4sets	8sets	
M8x50 screw	/	2sets	
Φ6mm Allen key	1pc	1pc	
Open spanner	1pc	1pc	
User Manual	1pc	1pc	
Remote control	1pc	1pc	

B:

Components	12W	15W	20W-120W	images
Unit main body	1pc	1pc	1pc	
Base	1pc	/	1pc	
Anchor ear B	1pc	1pc	/	
M8x100 screw	/	4sets	/	
M8x50 screw	4sets	/	/	
M8x30 screw	/	/	6pcs	
Φ6mm Allen key	1pc	1pc	1pc	
Open spanner	/	1pc	/	
User Manual	1pc	1pc	1pc	
Remote control	1pc	1pc	1pc	

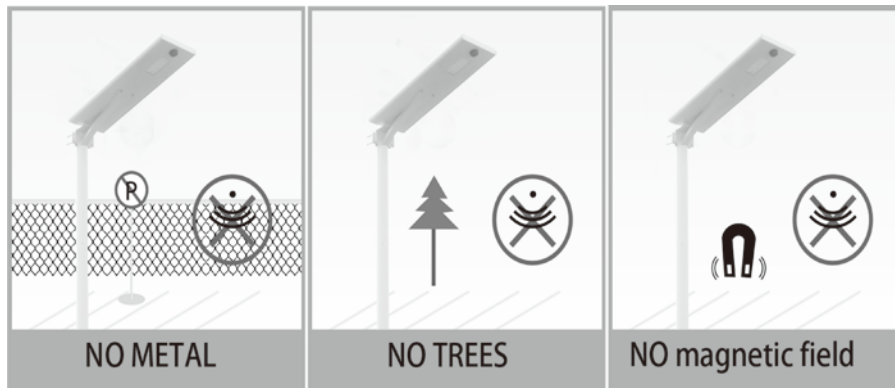
Main features:

- 1) Elegant streamline model and integrated design.
- 2) The latest microwave sensor is much more intelligent than the former one PIR sensor.
- 3) Easy to install and automatically turn on/off Microwave sensor.
- 4) All in one design, saving transport fee and labor fee.
- 5) All aluminum alloy material for light body.
- 6) Without electricity bill, supporting 3-5 rainy days.
- 7) The discharging temperature range is from -4°F to 140°F (-20°C~60°C).
- 8) The charging temperature range is from 32°F to 140°F (0°C~60°C).
- 9) The storage temperature range is from -4°F to 113°F (-20°C~45°C).

Application:

Courtyard/Garden/Park/Street/Roadway/Pathway/Parking Lot/Private Road /Sidewalk/Public Square/Plaza/Campus/Airfield/Farm&Ranch/Perimeter Security /Wildlife Area/Remote Area/Military Base/Coastal Areas and Billboard Lighting /Temporary and Event Lighting/Strata and Public Area Lighting/Construction Sites/Rural Area Lighting/Mining and Industrial sites.

Introduction Of Microwave Sensor



What is microwave sensor?

Microwave sensor works by emitting high frequency electric wave to detect objects' movement, such cases above may result in not working well.

Why choose microwave for outdoor lighting?

1. It can get through glass, wood, plastic and other non-metallic object, so it can be

installed inside and there is no influence on lamp's appearance.

2. It won't be influenced by airflow, dust, temperature, humidity like PIR.

What should be noticed when using microwave sensor?

Microwave has been improved a lot compared to PIR, but it is still not perfect. It may be influenced by metallic things and it's very sensitive to some extension, may detect other objects' movement such as leaves' movement.

Activation And Installation

How to turn on our solar street lights?

When you received our solar lights, do not need press ON button of the small blue remote to turn on the lamp, Because our solar lamps have Automatic Activation Function:

Remove the solar street light from package box, let the solar panel absorb energy from sun, then the lighting system can be activated.

The solar street light will be lighting automatically at night.

If you want to check whether the solar street lights are lighting during the daytime:

- 1: Press Demo button after the lighting system has been activated, the lamp will be lighting for a few mins then turn off automatically.
- 2: Cover the solar panels with shelters, the lamp will be lighting.

4 working modes can be chosen from:

DEMO: Test button.

ON/OFF: ON/OFF button (Ordinary this button is for test use).

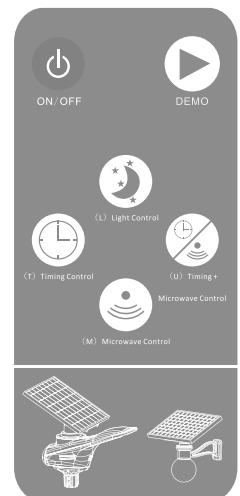
L : 100%-1hr, 70%-3hrs, 20% till dawn.

T: 100%-3hrs, 50%-3hrs.

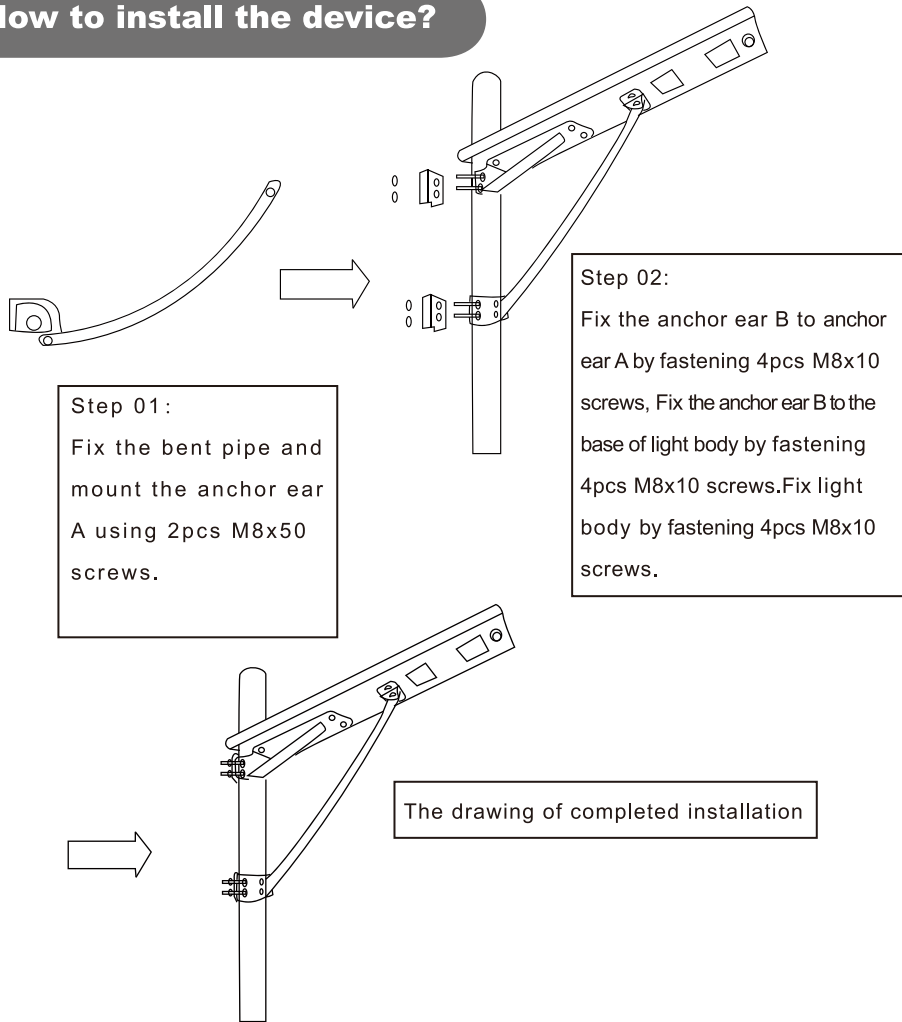
M: 100% if people come close, 30% far away.

U: 100%-2hrs, 70%-2hrs, 50%-2hrs, sensor working 50% if people come close, 20% far away.

Remark: Default mode is M, you can choose the best mode according to the light condition in your place.



How to install the device?

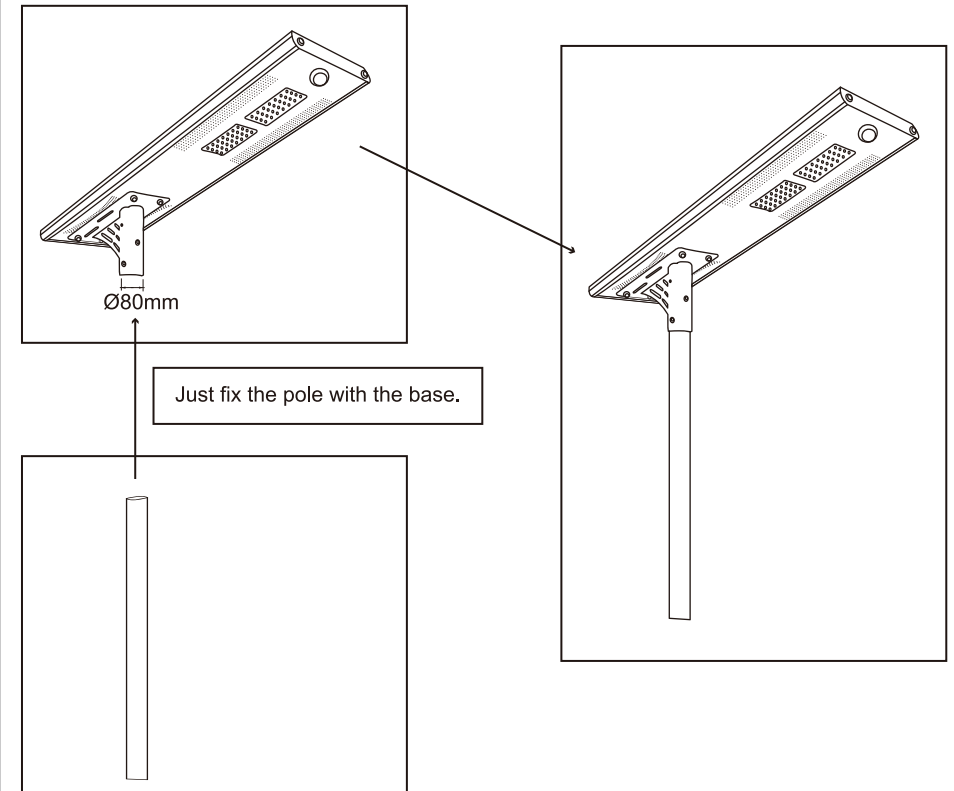


Notes:

1. Install the pole in the best position of sunshine. Make sure to be far away from trees, buildings and other shadows, or the internal battery will not charge properly and the efficiency of solar panel will be minimized, influencing the working time of unit and battery.
2. After completing installation, please make sure the street light is stable and the switch is turned on.
3. Suggest use 3mm thickness and 76mm-114mm diameter of the pole.

How to install the device?

Easy installation in 2 minutes



Notes:

1. Install the pole in the best position of sunshine. Make sure to be far away from trees, buildings and other shadows, or the internal battery will not charge properly and the efficiency of solar panel will be minimized, influencing the working time of unit and battery.
2. After completing installation, please make sure the street light is stable and the switch is turned on.
3. Suggest use 3mm thickness and 60mm-76mm diameter of the pole.